

NPA 26

METRIC

GROOVEX
Innovative Grooving & Turning Solutions

vargus
NEUMO Ehrenberg Group

GROOVEX NPA 26 METRIC | 02/2021 | Page 1/2

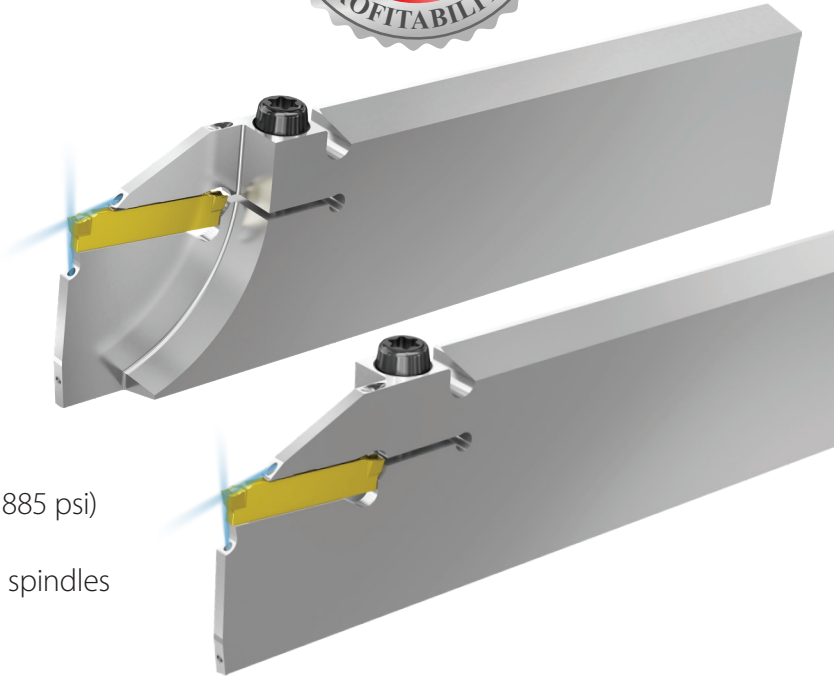
AVAILABLE Q1 2021



VG-Cut

NEW

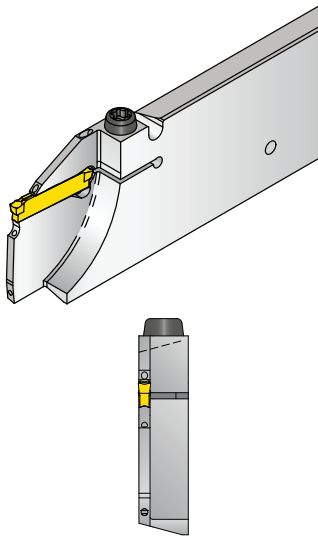
Reinforced Blades with Two High Pressure Coolant Outlets



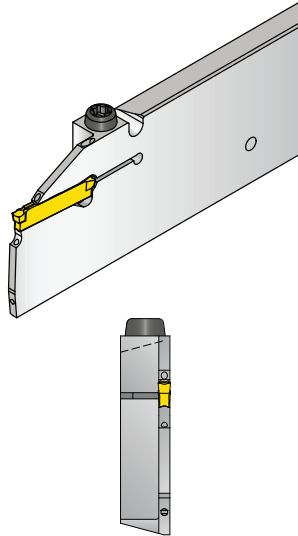
Features and Benefits:

- Two high pressure coolant outlets (up to 130 bar / 1885 psi)
- Screw clamping for maximum insert grip force
- Designed for Parting Off applications between two spindles
- Right hand and Left hand tools available
- Ordering Code: VGWS
- Availability: March 31st, 2021

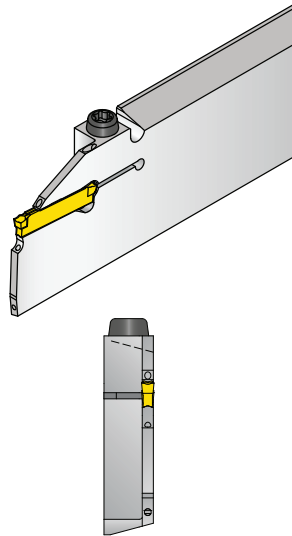
VGWSL...SLC



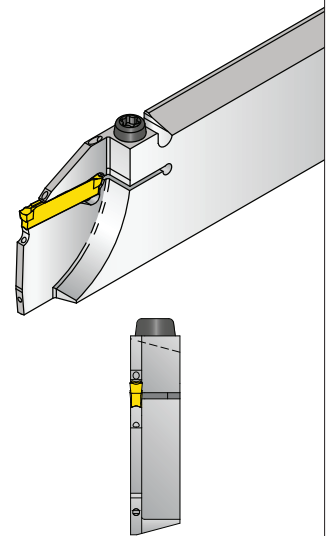
VGWSL...SRC



VGWSR...SRC



VGWSR...SLC



Please be in direct contact with me for any specific questions or requests.
For additional updates and news, visit the new VARGUS website: www.vargus.com

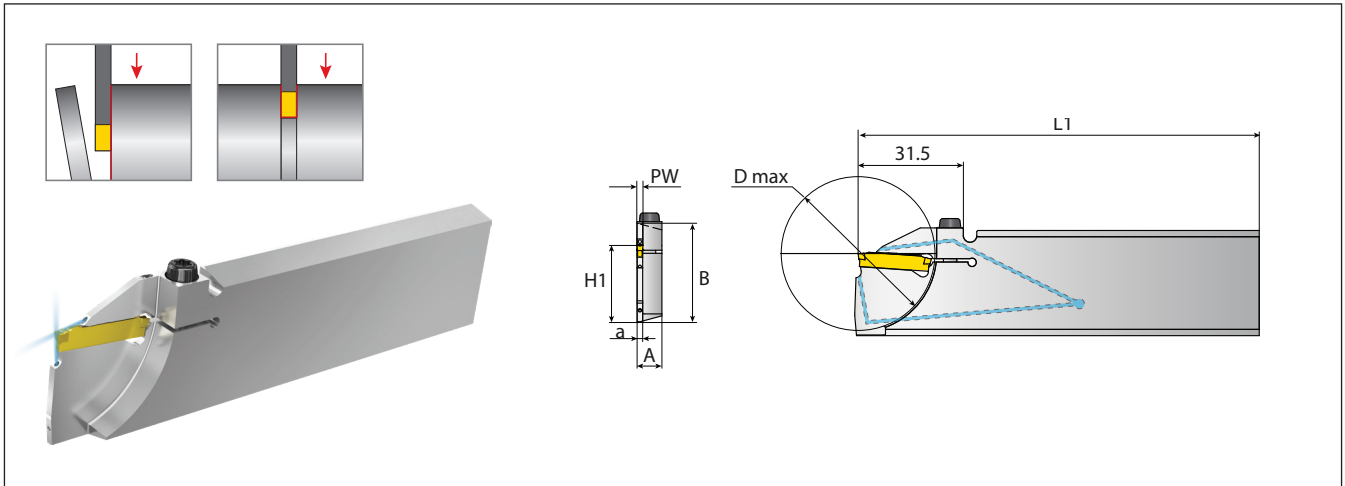

Gideon Boianjiu
GROOVEX Product Manager



Scroll down for complete details 

VG-Cut

NEW

Reinforced Blades with Two High Pressure Coolant Outlets



Ordering Code		Dimensions mm						Spare Parts		
RH/LH	B	PW	D max*	H1	L1	A	a	 Screw**	 Key	
VGWSR 26-2SRC	26	2	46	21.4	110	8	1.8	SM4.0x16-T20	K6T	
VGWSR 26-2SLC										
VGWSL 26-2SLC										
VGWSR 32-2SRC	32	3		24.8	120					
VGWSR 32-2SLC										
VGWSL 32-2SLC										
VGWSR 26-3SRC	26	3	46	21.4	110	8	2.4	SM4.0x16-T20	K6T	
VGWSR 26-3SLC										
VGWSL 26-3SLC										
VGWSR 32-3SRC	32	3		46	24.8					120
VGWSR 32-3SLC										
VGWSL 32-3SLC										

* D max figures presented are for single sided inserts (VGS).

** Tightening Torque: PW=2 – 3 Nm | PW=3 – 4.5 Nm.